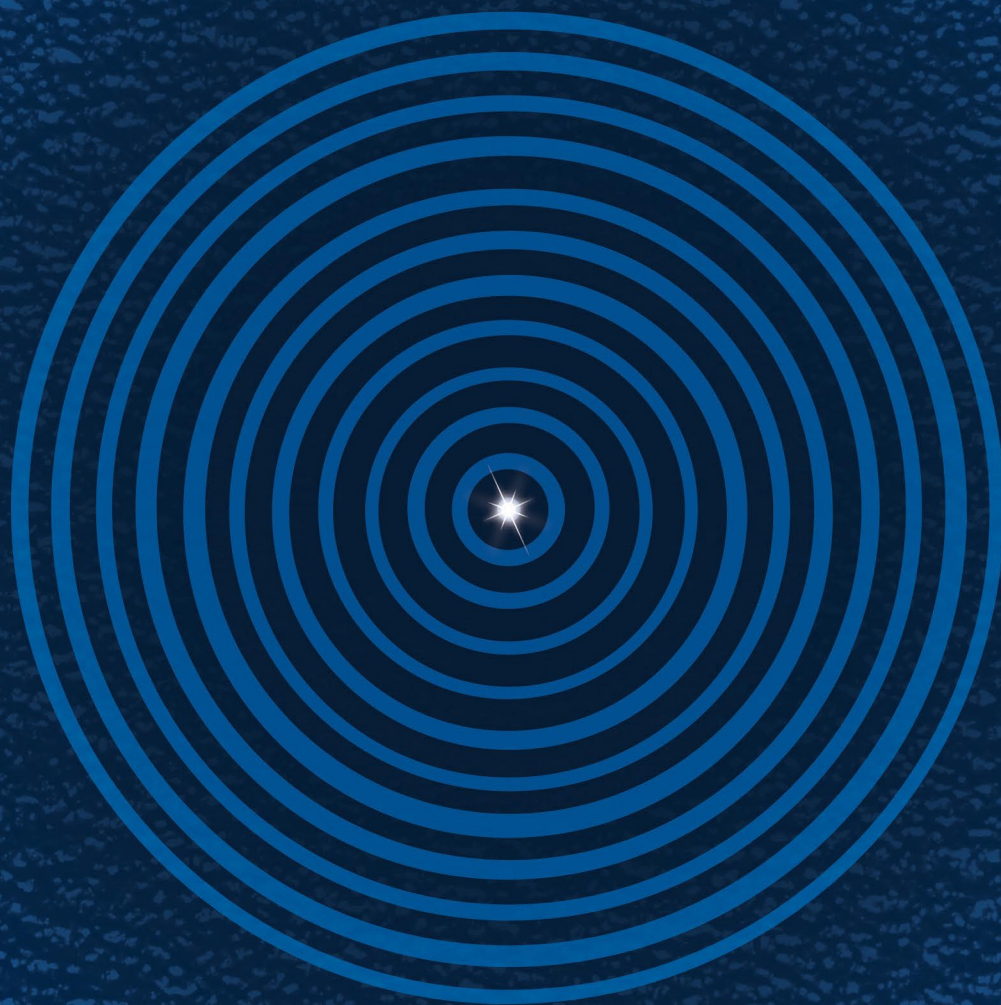


STUDIOLINE

pulz[®]



POINT SOURCE SERIES

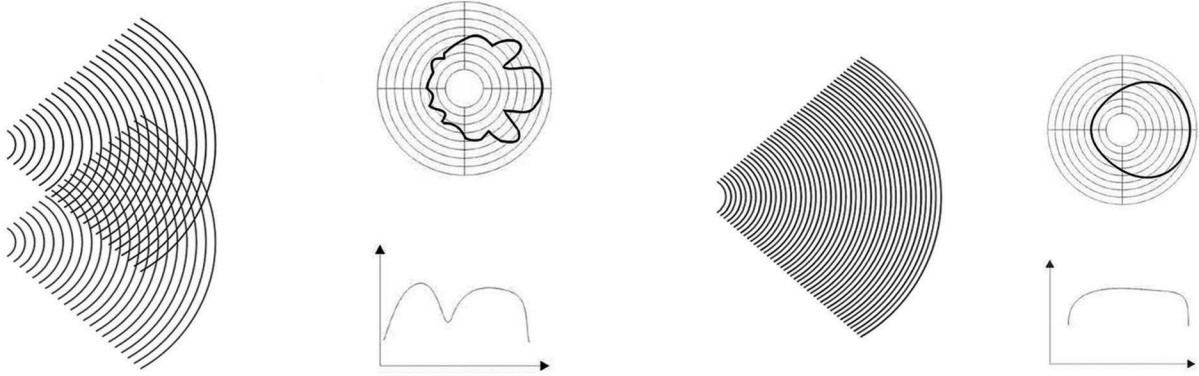


Point Source Coaxial Technology

Classical arrangement of 2-Way loudspeakers consists of separate transducers positioned on a common front baffle, displaced either vertically or horizontally. However, in the typical crossover frequency region, due to the difference in path lengths between the listening point and the two separate sources, spatial frequency summation cannot be homogeneous.

Point Source Coaxial Technology with concentrically aligned woofer and tweeter eliminates this problem and creates a perfectly homogeneous acoustic field horizontally as well as vertically.

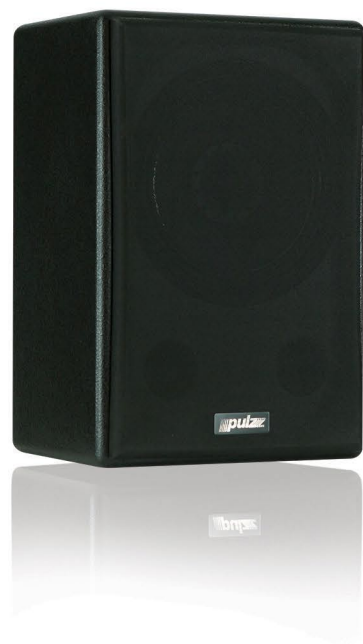
The advantages of the point source coaxial approach include: total wave front coherency at all frequencies and dispersion characteristics that are free of polar lobing, typical of traditional horn and woofer combinations. The net result is a natural, studio monitor like sound quality and uniform frequency coverage of the listeners area.



Conventional design: 2 horn 3 way system

Pulz design: Point Source System

CX10SMP



FEATURES

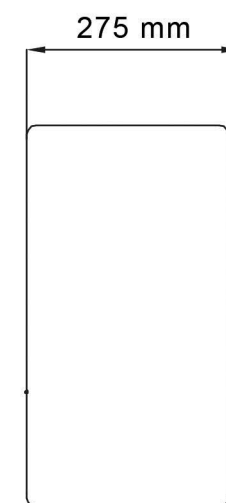
- High performance coaxial driver
- 90° conical dispersion
- High SPL
- Smooth frequency response on and off axis
- Professional construction
- High quality components

The Pulz CX10 SMP loudspeaker is a versatile system that is designed for high quality home theatres and studio monitors. The CX10 SMP is a passive 2-Way loudspeaker containing a 1" exit compression driver assembled in a true point source coaxial configuration along with a 10" Low-Mid frequency driver providing a conical 90° dispersion.

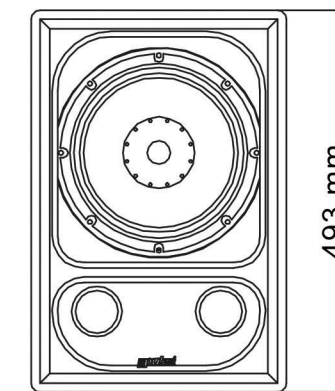
Further advantages of the coaxial approach include: single point source radiation, total wavefront coherency at all frequencies and superimposed LF/HF dispersion characteristics that are free of polar lobing effects typical of traditional horn and woofer combinations. The net result is natural, studio monitor level sound quality that is ideal for proximity use.

SPECIFICATIONS:

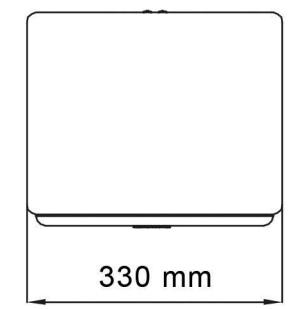
Frequency Response:	55Hz to 20kHz
Power Rating:	150W AES, 600W peak
Sensitivity:	96.7dB @ 1W/1m
Maximum SPL:	118dB continuous, 124dB peak @ 1m
Low Frequency Driver:	10" (250 mm) Low-Mid driver with coaxial entry
High Frequency Driver:	1" (25 mm) voice coil compression driver mounted coaxially
Crossover:	2.5kHz Passive, Air core inductors, MKP capacitors, Wire wound resistors
Dispersion:	90° conical
Finish:	Black impact resistant structured coating
Connector:	Push type binding post, cable upto 4 mm diameter
Enclosure:	15 mm MDF vented enclosure with acoustically transparent black fabric grill
Dimensions (H X W X D):	493 mm X 330 mm X 275 mm (19" X 13" X 10.2")
Net Weight:	14 kg (31 lb)
Packed Weight:	16.5 kg (36 lb)



SIDE VIEW



FRONT VIEW



TOP VIEW

CX15SMP



FEATURES

- High performance coaxial driver
- 90° conical dispersion
- High SPL
- Smooth frequency response on and off axis
- Professional construction
- High quality components

The Pulz CX15 SMP loudspeaker provides a high quality high performance speaker system for behind the screen home theatre systems and preview theatres

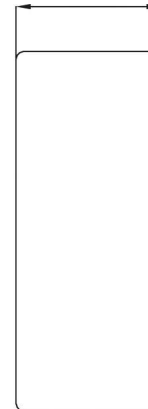
The CX15 SMP incorporates true point source technology and is a 2-Way passive loudspeaker containing a 1" exit compression driver assembled in a coaxial configuration along with a 15" LF driver providing a conical 90° opening.

Further advantages of the coaxial approach includes a single point source radiation, total wave front coherency at all frequencies and superimposed LF/HF dispersion characteristics are free of the polar lobing effects typical of traditional horn and woofer combinations. The net result is natural studio monitor level sound quality that for dedicated Home theatres and preview theatres

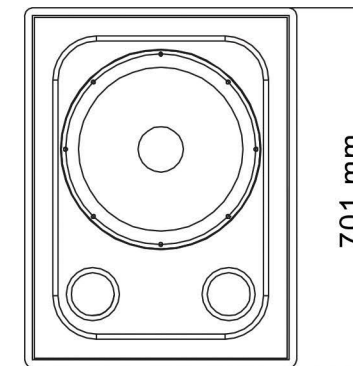
SPECIFICATIONS:

Frequency Response:	50Hz to 20kHz
Power Rating:	500W AES, 2000W peak
Sensitivity:	98dB @ 1W/1m
Maximum SPL:	125dB continuous, 131dB peak @ 1m
Low Frequency Driver:	15" (380 mm) Low-Mid driver with coaxial entry
High Frequency Driver:	1.75" (44 mm) voice coil compression driver mounted coaxially
Crossover:	1.3kHz Passive, Air core inductors, MKP capacitors, Wire wound resistors
Dispersion:	90° conical
Finish:	Black impact resistant structured coating
Connector:	Push type binding post, cable upto 4 mm diameter
Enclosure:	18 mm MDF vented enclosure with acoustically transparent black fabric grill
Dimensions (H X W X D):	701 mm X 530 mm X 283 mm (27.6" X 21" X 11.7")
Net Weight:	33 kg (73 lb)
Packed Weight:	38 kg (84 lb)

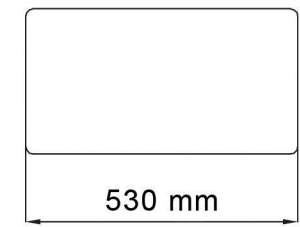
283 mm



SIDE VIEW



FRONT VIEW



530 mm

TOP VIEW

PX12MH + PB12



FEATURES

- High performance 3-way systems
- Bi-amp or Tri-amp configuration
- Custom coaxial Mid-High section
- Class leading drivers from Germany and France
- Linear frequency response Horizontally and Vertically
- High Sensitivity and High SPL
- Ultra-low distortion
- Compact size
- Ease of installation

Pulz PX12MH + PB12 is a high performance 3-way Bi-amp screen channel speaker system designed for studios and premium home theatres.

The system provides high dynamic range and clean audio reproduction across the full spectrum of audio frequencies in a relatively compact package.

The PX12MH Mid-High section consists of a 12" powerful ultra-low distortion Low-mid driver and a coaxially mounted high sensitivity 1.75" voice coil compression driver. Further, the system incorporates a sophisticated passive crossover made of precision components to ensure uniform frequency response over the critical Mid-High audio band. The custom designed co-axial arrangement is free of multiple lobes and eliminates off-axis frequency response anomalies.

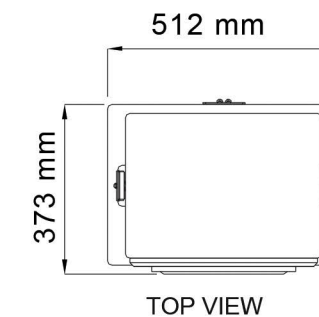
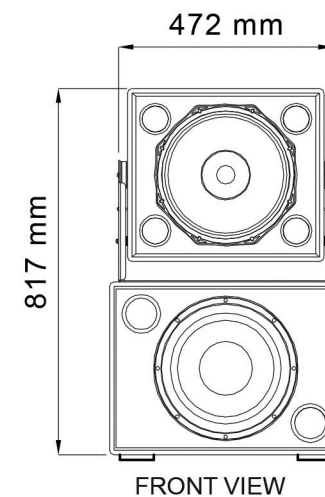
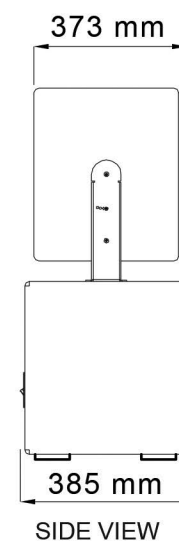
The 12" mid high coaxial system is exceptionally linear on and off axis both horizontally and vertically. This ensures a larger prime viewing area, high dialog intelligibility and a well-balanced music reproduction.

The PB12 Low frequency section is powered with a long excursion high power 12" very low frequency driver. The LF is loaded with a tuned bass reflex cabinet to reproduce free flowing low frequencies efficiently. The lower crossover frequency between LF and MH results in multiple lobe free coupling of the system at all listening angles.

The integration of Pulz PX12MH and PB12LF behind the screen with its precise aiming bracket is convenient, even with the acoustic baffle.

SPECIFICATIONS:

Frequency response	35Hz – 20kHz
Sensitivity	LF – 96dB, MF – 97dB, HF - 113dB
Nominal Impedance	LF - 8 ohms, MF – 8 ohms, HF – 16 ohms
Power rating	LF - 600W AES, MF – 400W AES, HF – 80W AES
Dispersion	90° conical
Configuratiton	Standard configuration: 3-way Bi-amplified
Transducers	LF – 12" high excursion woofer MF – 12" low -mid driver HF – 1.75" VC HF compression driver
Enclosure	Bass reflex type MDF
Tilting arrangement	C-bracket for MH section included
Dimensions (H x W x D)	817 mm X 512 mm X 385 mm (32.2" X 20.1" X 15.1")
Net Weight	50 kg (110 lb)
Packed Weight	60 kg (132 lb)



CSX5

FEATURES



- Convenient mounting options
- High performance coaxial driver
- 90° conical dispersion
- High SPL
- Smooth frequency response on and off axis
- Professional construction
- High quality components

The Pulz CSX5 Surround Speaker System is designed to reproduce immersive audio soundtracks faithfully in preview theatres, studios and prestige home theatres. Powered with a 5" high sensitivity low distortion woofer and 1" voice coil compression driver of European origin, CSX5 is capable of reproducing very high SPL and uniform dispersion throughout the auditorium. In the conventional preview theatre and studio surround speaker systems, multiple drivers are aligned either vertically or horizontally. This design may produce off axis lobes and uneven frequency response. The Pulz 5" driver with coaxially mounted HF unit on the other hand is coherent and produces smooth on and off axis frequency response.

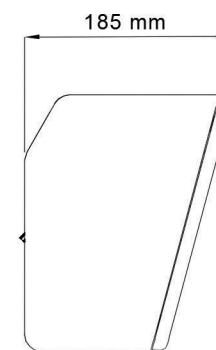
A sophisticated passive crossover with close tolerance components ensures seamless integration of low and high frequency drivers. The closed type enclosure is CAD optimized for precise low frequency loading. The geometry of the acoustically transparent grill minimizes diffraction. Heavy duty spring loaded terminal posts facilitates convenient and secure connectivity at site.

The shape of CSX5 allows it to be wall mounted with a 15° downward angle. The enclosure is equipped with various mounting options to place it directly on the wall or mount it with optional C-bracket to achieve ±45° tilts in 9° increments. Additional security hooks are provided to ensure additional safety when mounting the system on ceiling. The heavy duty MDF enclosure is finished with abrasion resistant textured paint.

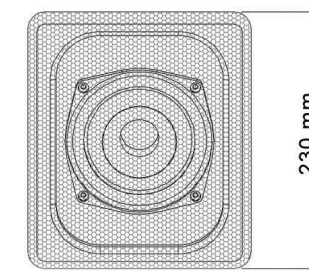
The Pulz CSX5 incorporates advanced technology driver and components to deliver dynamic, high SPL and wide dispersion sound into small preview theatres, studios and prestige home theatres as to reproduce ambience and effects.

SPECIFICATIONS:

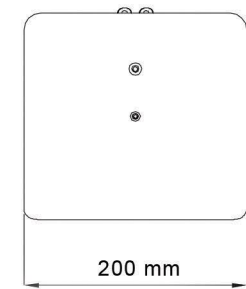
Frequency Response:	100Hz to 20kHz
Power Rating:	150W AES, 600W peak
Sensitivity:	92.5dB @ 1W/1m
Maximum SPL:	114dB continuous, 120dB peak @ 1m
Nominal Impedance:	8Ω
Low Frequency Driver:	5" (125 mm) Low-Mid driver with coaxial entry
High Frequency Driver:	1" (25 mm) voice coil compression driver mounted coaxially
Crossover:	4kHz Passive, Air core inductors, MKP capacitors, Wire wound resistors
Dispersion:	90° conical
Finish:	Black impact resistant structured coating
Connector:	Push type binding post, cable upto 4 mm diameter
Enclosure:	15 mm MDF direct radiator sealed enclosure
Grill:	Acoustically transparent woven fabric
Dimensions (H X W X D):	230 mm X 200 mm X 185 mm (9" X 7.8" X 7.2")
Net Weight:	5.1 kg (11 lb)
Packed Weight:	6 kg (13 lb)



SIDE VIEW



FRONT VIEW

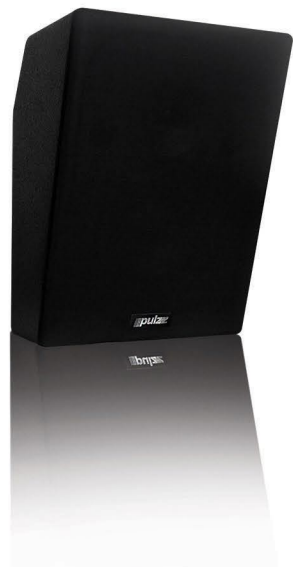


TOP VIEW

CSX8

FEATURES

- Convenient mounting options
- High performance coaxial driver
- 90° conical dispersion
- High SPL
- Smooth frequency response on and off axis
- Professional construction
- High quality components



The Pulz CSX8 Surround Speaker System is designed to reproduce immersive audio soundtracks faithfully in preview theatres, studios and prestige home theatres. Powered with a 8" high sensitivity low distortion woofer and 1" voice coil compression driver of European origin, CSX8 is capable of reproducing very high SPL and uniform dispersion throughout the auditorium. In the conventional preview theatre and studio surround speaker systems, multiple drivers are aligned either vertically or horizontally. This design may produce off axis lobes and uneven frequency response. The Pulz 8" driver with coaxially mounted HF unit on the other hand is coherent and produces smooth on and off axis frequency response.

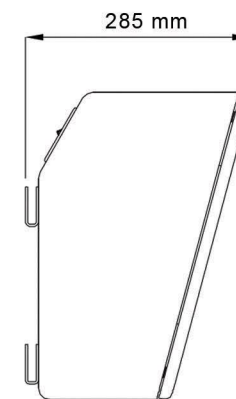
A sophisticated passive crossover with close tolerance components ensures seamless integration of low and high frequency drivers. The vented enclosure is CAD optimized for precise low frequency loading. The geometry of the acoustically transparent grill minimizes diffraction. Heavy duty spring loaded terminal posts facilitates convenient and secure connectivity at site.

The shape of CSX8 allows it to be wall mounted with a 15° downward angle. The enclosure is equipped with various mounting options to place it directly on the wall or mount it with optional C-bracket to achieve ±45° tilts in 9° increments. Additional security hooks are provided to ensure additional safety when mounting the system on ceiling. The heavy duty MDF enclosure is finished with abrasion resistant textured paint.

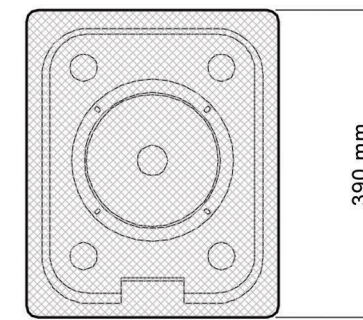
The Pulz CSX8 incorporates advanced technology driver and components to deliver dynamic, high SPL and wide dispersion sound into small preview theatres, studios and prestige home theatres to reproduce ambience and effects.

SPECIFICATIONS:

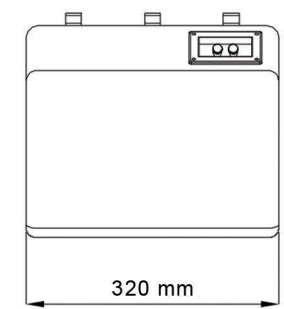
Frequency Response:	65Hz to 20kHz
Power Rating:	120W AES, 480W peak
Sensitivity:	93.8dB @ 1W/1m
Maximum SPL:	114.5dB continuous, 120.5dB peak @ 1m
Nominal Impedance:	8Ω
Low Frequency Driver:	8" (200 mm) Low-Mid driver with coaxial entry
High Frequency Driver:	1" (25 mm) voice coil compression driver mounted coaxially
Crossover:	2.6kHz Passive, Air core inductors, MKP capacitors, Wire wound resistors
Dispersion:	90° conical
Finish:	Black impact resistant structured coating
Connector:	Push type binding post, cable upto 4 mm diameter
Enclosure:	15 mm MDF direct radiator vented enclosure
Grill:	Acoustically transparent black woven fabric
Dimensions (H X W X D):	390 mm X 320 mm X 285 mm (15.3" X 12.6" X 11.2")
Net Weight:	10 kg (22 lb)
Packed Weight:	11.5 kg (25 lb)



SIDE VIEW

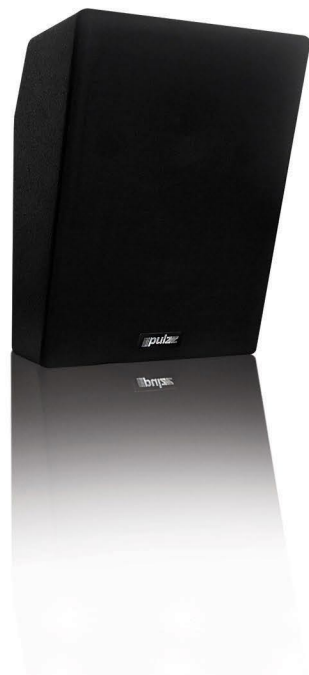


FRONT VIEW



TOP VIEW

CSX10



FEATURES

- Convenient mounting options
- High performance coaxial driver
- 90° conical dispersion
- High SPL
- Smooth frequency response on and off axis
- Professional construction
- High quality components

The Pulz CSX10 Cinema Surround Speaker System is designed to reproduce immersive audio soundtracks faithfully in medium and large cinemas. Powered with a 10" high sensitivity low distortion woofer and 1" voice coil compression driver of European origin, CSX10 is capable of reproducing very high SPL (sound pressure level) and uniform dispersion throughout the auditorium. In the conventional cinema surround speaker systems, multiple drivers are aligned either vertically or horizontally. This design may produce off axis lobes and uneven frequency response. The Pulz 10" driver with coaxially mounted HF unit on the other hand is coherent and produces smooth on and off axis frequency response.

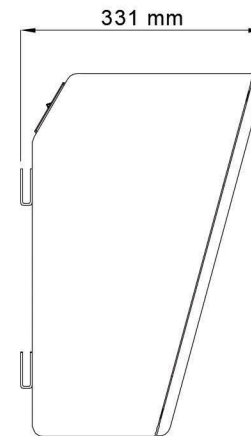
A sophisticated passive crossover with close tolerance components ensures seamless integration of low and high frequency drivers. The vented enclosure is CAD optimized for precise low frequency loading. The geometry of the acoustically transparent grill minimizes diffraction. Heavy duty spring loaded terminal posts facilitates convenient and secure connectivity at site.

The shape of CSX10 allows it to be wall mounted with a 15° downward angle. The enclosure is equipped with various mounting options to place it directly on the wall or mount it with optional C-bracket to achieve ±45° tilts in 9° increments. Additional security hooks are provided to provide additional safety when mounting the system on ceiling. The heavy duty MDF enclosure is finished with abrasion resistant textured paint.

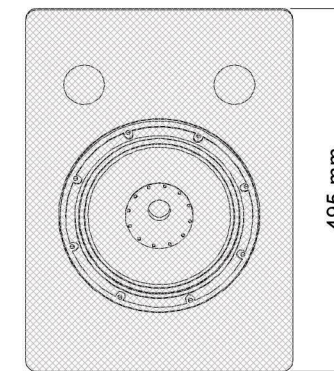
The Pulz CSX10 incorporates advanced technology driver and components to deliver dynamic, high SPL and wide dispersion sound into medium and large cinemas to reproduce ambience and effects.

SPECIFICATIONS:

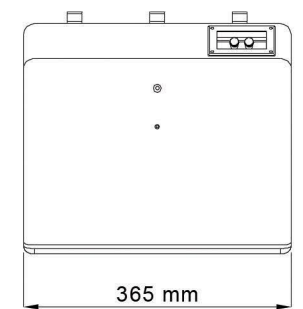
Frequency Response:	65Hz to 20kHz
Power Rating:	150W AES, 600W peak
Sensitivity:	96.7dB @ 1W/1m
Maximum SPL:	118dB continuous, 124dB peak @ 1m
Nominal Impedance:	8Ω
Low Frequency Driver:	10" (250 mm) Low-Mid driver with coaxial entry
High Frequency Driver:	1" (25 mm) voice coil compression driver mounted coaxially
Crossover:	2.5kHz Passive, low loss air core inductors and MKP capacitors
Dispersion:	90° conical
Finish:	Black impact resistant structured coating
Connector:	Push type binding post, cable upto 4 mm diameter
Enclosure:	15 mm MDF direct radiator vented enclosure
Grill:	Acoustically transparent black woven fabric
Dimensions (H X W X D):	495 mm X 365 mm X 331 mm (19.4" X 14.3" X 13")
Net Weight:	13.4 kg (30 lb)
Packed Weight:	14.5 kg (32 lb)



SIDE VIEW

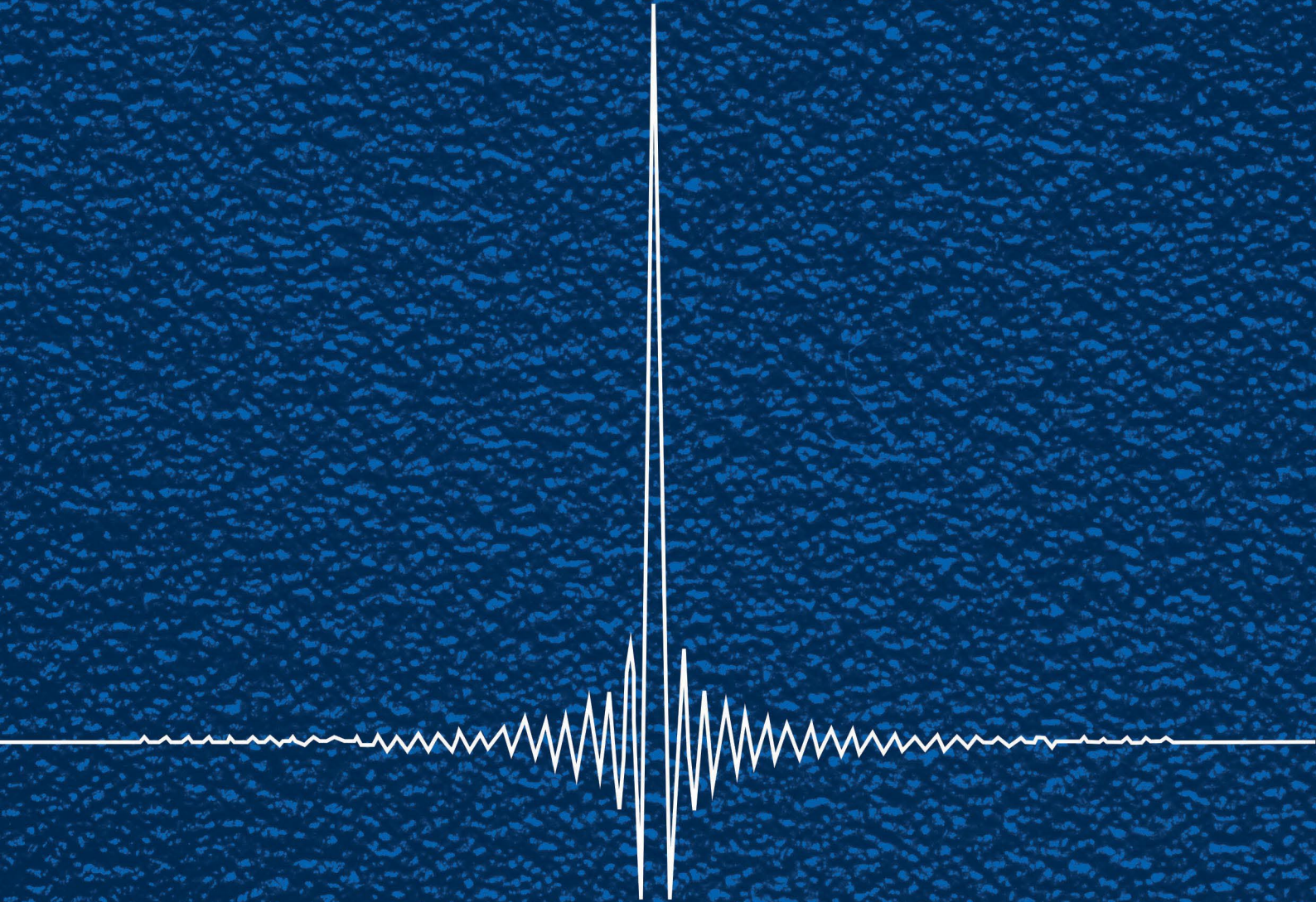


FRONT VIEW



TOP VIEW

sound matters



Pulz Electronics Ltd.

Kailashpati, 2nd Floor,
Plot 10A, Veera Desai Road,
Andheri (W), Mumbai 400 053, India
Tel: +91 22 2673 2593

www.pulz.co.in

Pulz reserves the right to make changes in specifications without prior notice.