

Cx10 2-way co-axial loudspeaker

FEATURES

The PULZ® Cx10 loudspeaker enclosure provides a versatile system that is designed for high quality distributed sound reinforcement or high performance stage monitoring. Using true point source coaxial technology, the Cx10 features advanced components in a flexible, multipurpose compact format that is suitable for either touring or fixed installation. The Cx10 is a passive 2-way loudspeaker enclosure containing a 1" exit compression driver assembled in a coaxial configuration along with a 10" Audio loudspeaker providing a conical 110° opening.

Further advantages of the coaxial approach include: single point source radiation, total wavefront coherency at all frequencies and superimposed LF/HF dispersion characteristics that are free of polar lobing effects typical of traditional horn and woofer combinations. The net result is natural, studio monitor level sound quality that is ideal for proximity use.

The new MVC, multivalent convection technology, allows the Cx10 to handle its nominal full power capacity in any working position.



- natural sound reproduction
- full power handling in any position due to MVC technology
- sophisticated electronic built-in protection
- point source radiation
- full range of mounting and flying accessories

APPLICATIONS

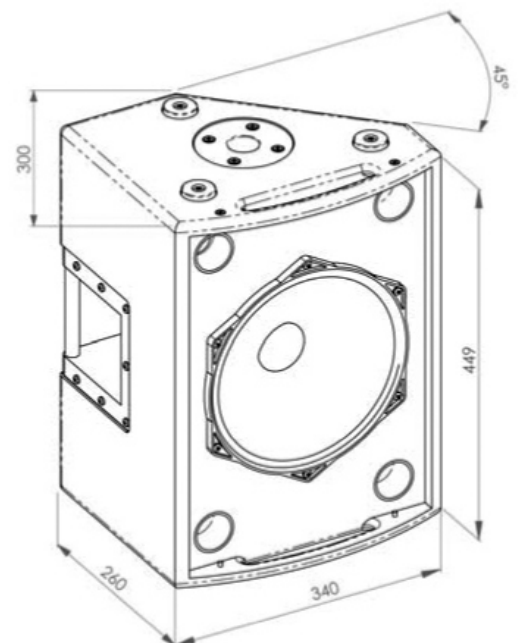
Medium power touring, installed PA for clubs, A/V, theatre, broadcast, high quality stage monitoring, etc, are the application field of Cx10. The design and the great additional options for the Cx10, provide this speaker a simple and easy installation : One can put it on the floor, install it on a stand or fly it. Walls and ceilings are in its range of installation thanks to its optional lyre brackets.

As a main F.O.H the Cx10 is meant for vocal applications, stage monitor or distributed sound. For music requirement, a dedicated optional processor is provided in order to optimise the speaker response.

Combined with PULZ subwoofers, the Cx10 allows to create compact and powerful systems suitable for all indoor or outdoor configuration.

The Cx10 is also ideal for distributed sound reinforcement and can be used in medium power front-of-house (FOH) applications for theatres, clubs, multi-purpose venues or corporate events.

The enclosure comprises a 45° angle side for stage monitor application and include two 35mm built in stand fitting as well as a steel bar handle and two wood integrated handles.



Dimensions in mm

cx10 | SPECIFICATIONS

features

Frequency range without processor (± 3 dB)
Sensitivity @1W 1m, $f > 100$ Hz
Maximum continuous level at 1m, $f > 80$ Hz
Peak level at 1m, $f > 100$ Hz
Nominal directivity @-6dB

low section

100 Hz to 1300 Hz
98 dB SPL
123 dB SPL
129 dB SPL
110° conical

high section

1300 Hz to 20 kHz
98 dB SPL
123 dB SPL
129 dB SPL
110° conical

components

Transducers

1 x 10" weatherproof
loudspeaker

1 x 1" HF driver
coaxially mounted

Type of load

Bass reflex

Conical horn

power

Recommended amps

200 to 600 W into 8 Ohms

Peak

1200 W

AES

300 W

construction & characteristics

Cabinet

15mm plywood with internal reinforcements

Crossover

Air core inductors, MKP capacitors, wirewound resistors

Circuit protection

Active internal compressor limiter circuit

Finish

Gray, impact resistant structured coating

Protection grill

Acoustically transparent perforated steel, 1.5mm thick

Grill back-up

Gray, woven, heavy duty fabric

Connectors

2 x SPEAKON NLM4P

Handles

1 x built-in steel bar, 2 wood integrated handles

Mounting on stand

2 x 35 mm built in stand fitting

Dimensions (H x W x D)

18.5" x 13.5" x 11.5" (467 x 340 x 294 mm)

Net unit weight

18 kg

Gross weight, packed

21 kg

directivity

0°, 10°, 20°, 30°, 40°, 50°, 60°, 70°, 80°, 90°. Average H x V

